

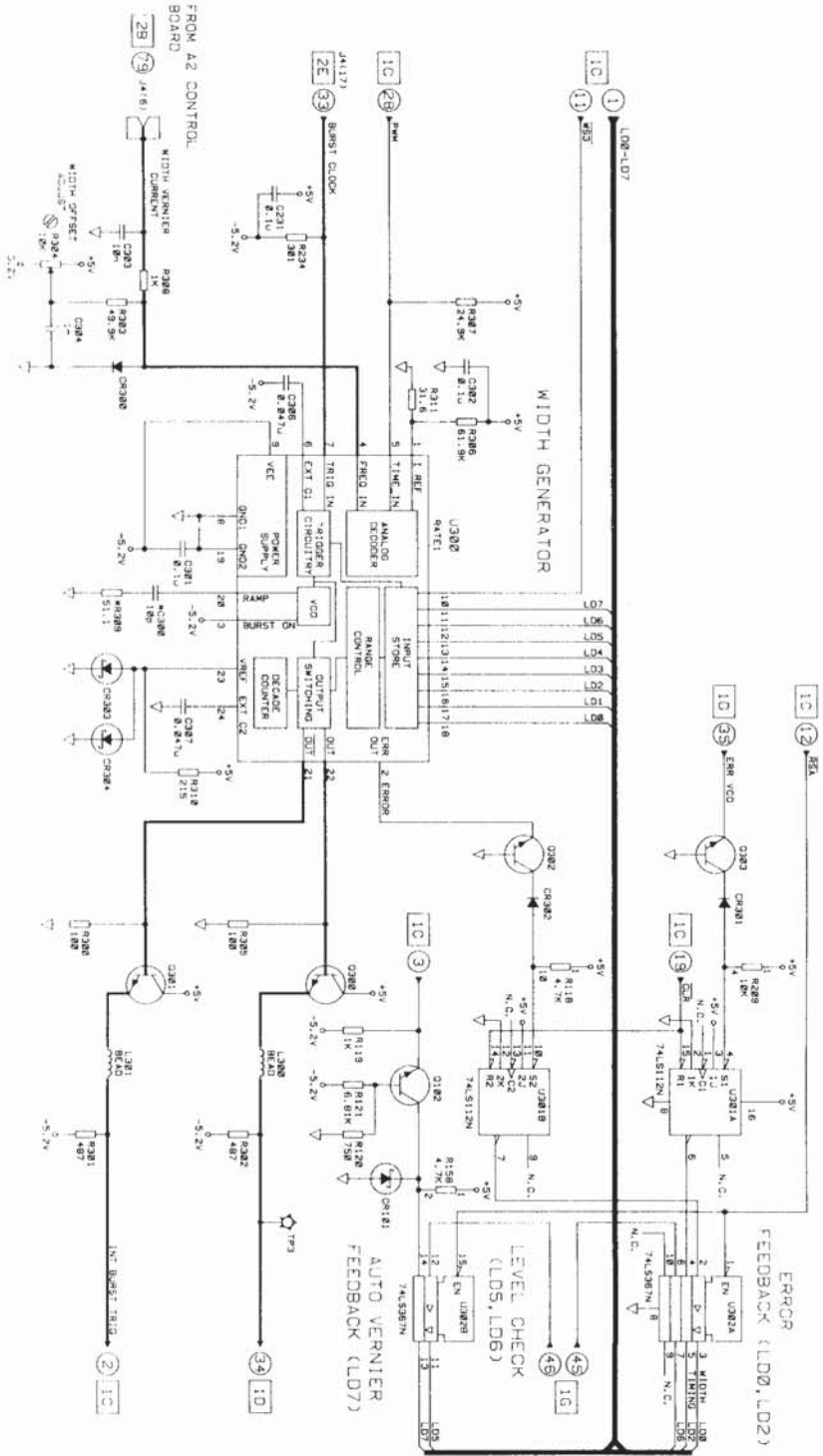
P/C A1 MAIN BOARD

1

2

3

SERVICE



NOTE: 109:162
 109:163
 MAIN BOARD AS SCHEMATIC 5
 SERVICING THE VDD AND WIDTH GENERATOR : 0-3-11

