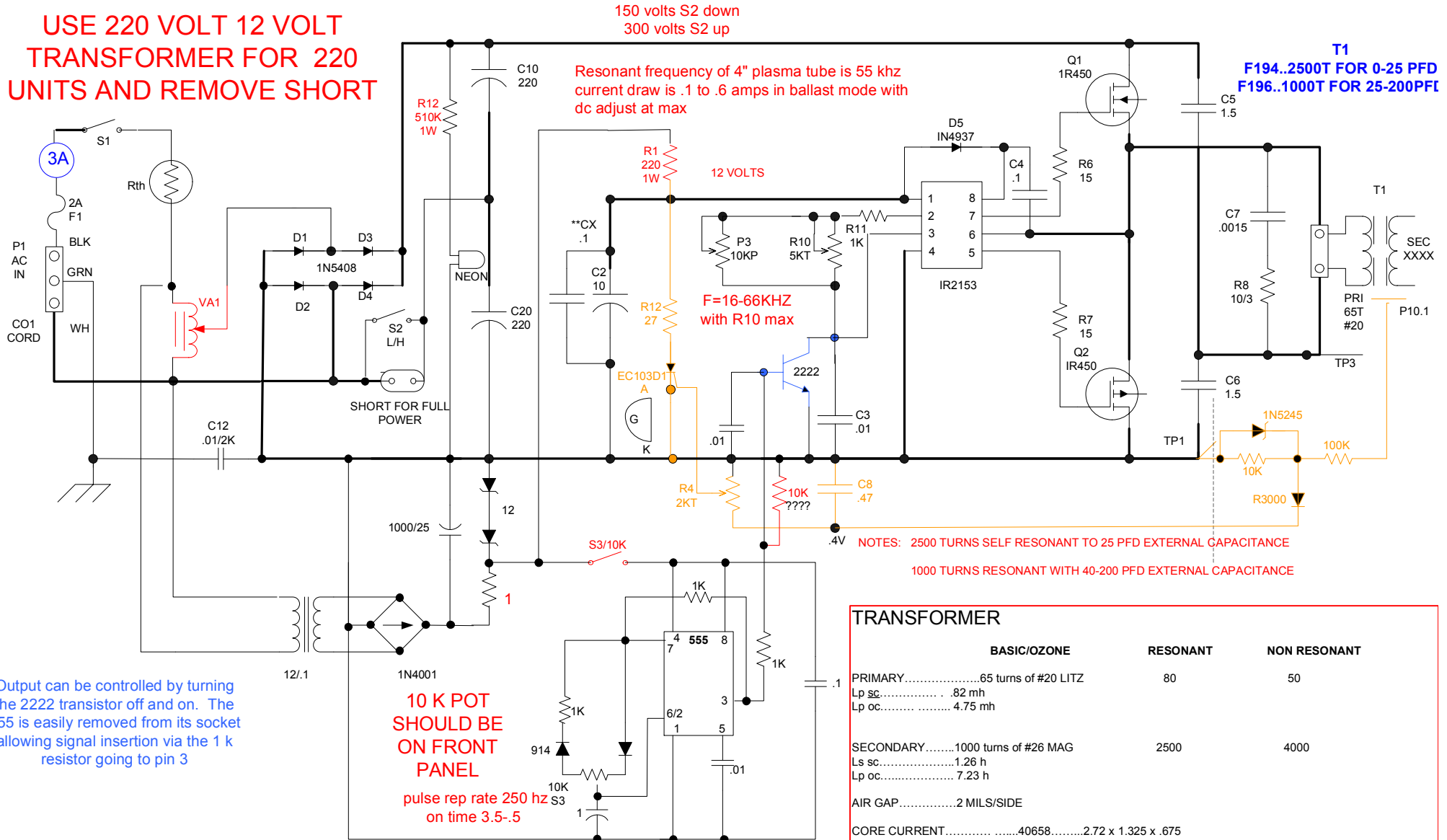


DIDRIV10/PVM500DC SCHEMATIC for PULSED HALF POWER RESONANT OPERATION REV2110-11

Intended for dielectric barrier discharge systems/plasma displays/hydrogen production

USE 220 VOLT 12 VOLT TRANSFORMER FOR 220 UNITS AND REMOVE SHORT



	BASIC/OZONE	RESONANT	NON RESONANT
PRIMARY.....	.65 turns of #20 LITZ	80	50
Lp sc.....	.82 mh		
Lp oc.....	4.75 mh		
SECONDARY.....	1000 turns of #26 MAG	2500	4000
Ls sc.....	1.26 h		
Lp oc.....	7.23 h		
AIR GAP.....	.2 MILS/SIDE		
CORE CURRENT.....	.40658.....2.72 x 1.325 x .675		
CORE reclaim.....	.40787.....2.72 x 1.53 x .675		
CORE intl ferrite.....	.3.2 x 1.756 x .625		
CORE intl ferrite.....	.3.2 x 1.285 x .625		
SET.....	.35 us on 48 x 4 column foe .8 amps cold		

Proprietary and intellectual property of INFORMATION UNLIMITED PO Box 716 Amherst N.H. 03057 Tel# 1 603 673 6493/4730 Fax# 1 603 672 5406 EMAIL to <BOB@AMAZING1.COM> Web site at <http://www.amazing1.com>