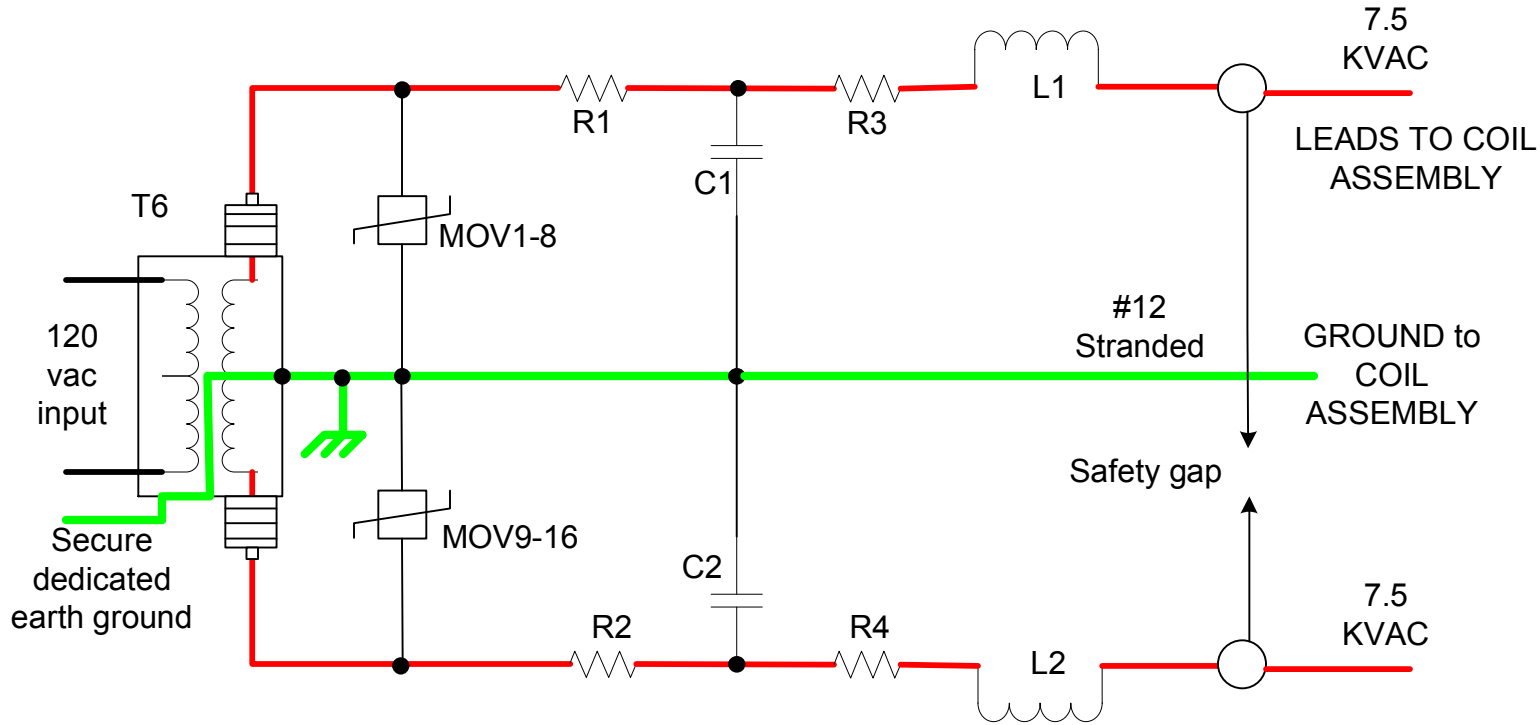


FIG 3 COX Suppression Circuit Protecting a Neon Transformer Used in a TESLA Coil

This circuit is the property of RESONANCE RESEARCH of Baraboo, Wisconsin supplier of large museum quality TESLA COILS AND OTHER APPARATUS



Parts List

9KV Unit Use six 1800V MOV in series for each leg for **MOV1,2** P7215

12KV Unit Use seven 1800V MOV in series for each leg for **MOV1,2**

15KV Unit Use **eight** 1800V MOV in series for each leg or **MOV1,2**

All Units use **four** 300 ohm 50 watt wire wound resistors each for **R1,2,3,4**

All Units use **six** pieces .033mfd 1.6kv MPP in each leg in series for **C1,2** P10501

All Units use coils of 80 turns of #24 pvc jacketed wire close wound on a 2" OD PVC tube for **L1,2**

db# MOV1800 MOV1,2.....16 pieces.....\$1.50 each

db# 300/50W R1,2,3,4.....4 pieces.....\$3.50 each

db# .033/1600MPP C1,212 pieces.....\$.75 each

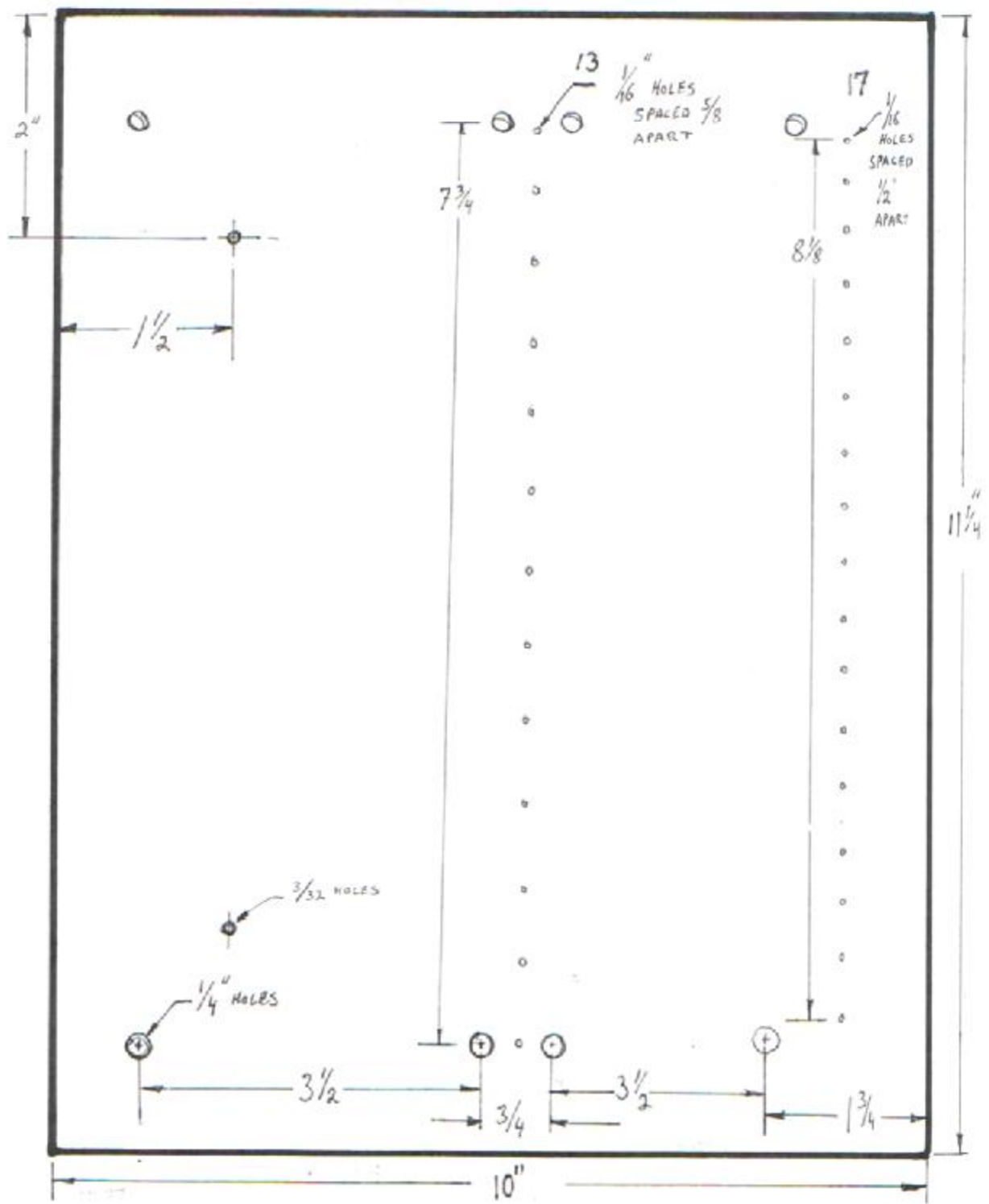
db# INFOCHOKEBTC7 L1,2.....\$29.50 each

db# LEXANBTC7..plate fab.....\$35.00

Kit of above parts db# BTC7SUP1K.....\$120.00

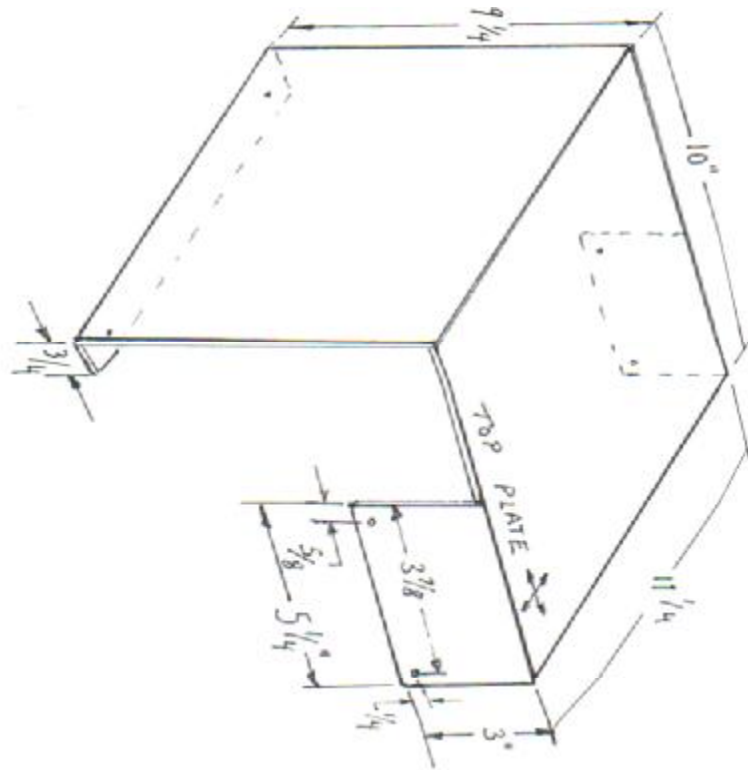
Assembled above circuit db# BTC70.....\$199.00

FIG 3A SUPPRESSOR LAYOUT BOARD



TOP PLATE LAYOUT

FIG 3B SUPPRESSOR MOUNTING BRACKET



MATERIAL $\frac{1}{8}$ " LEXAN SHEET

BTC 70
SURGE PROTECTION ASSY

FIGURE 3C SUPPRESSION CIRCUIT LAYOUT
dcco1-4

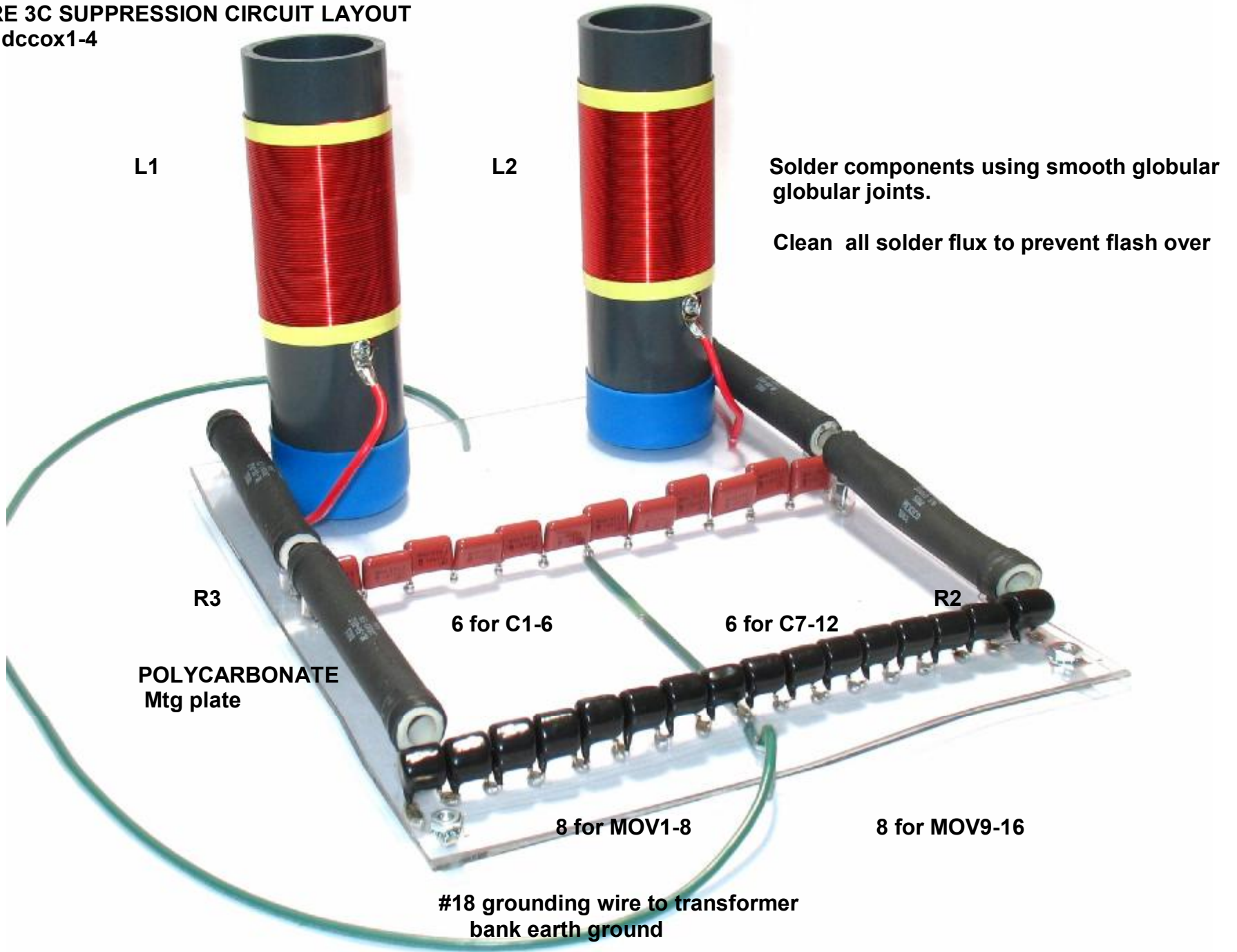
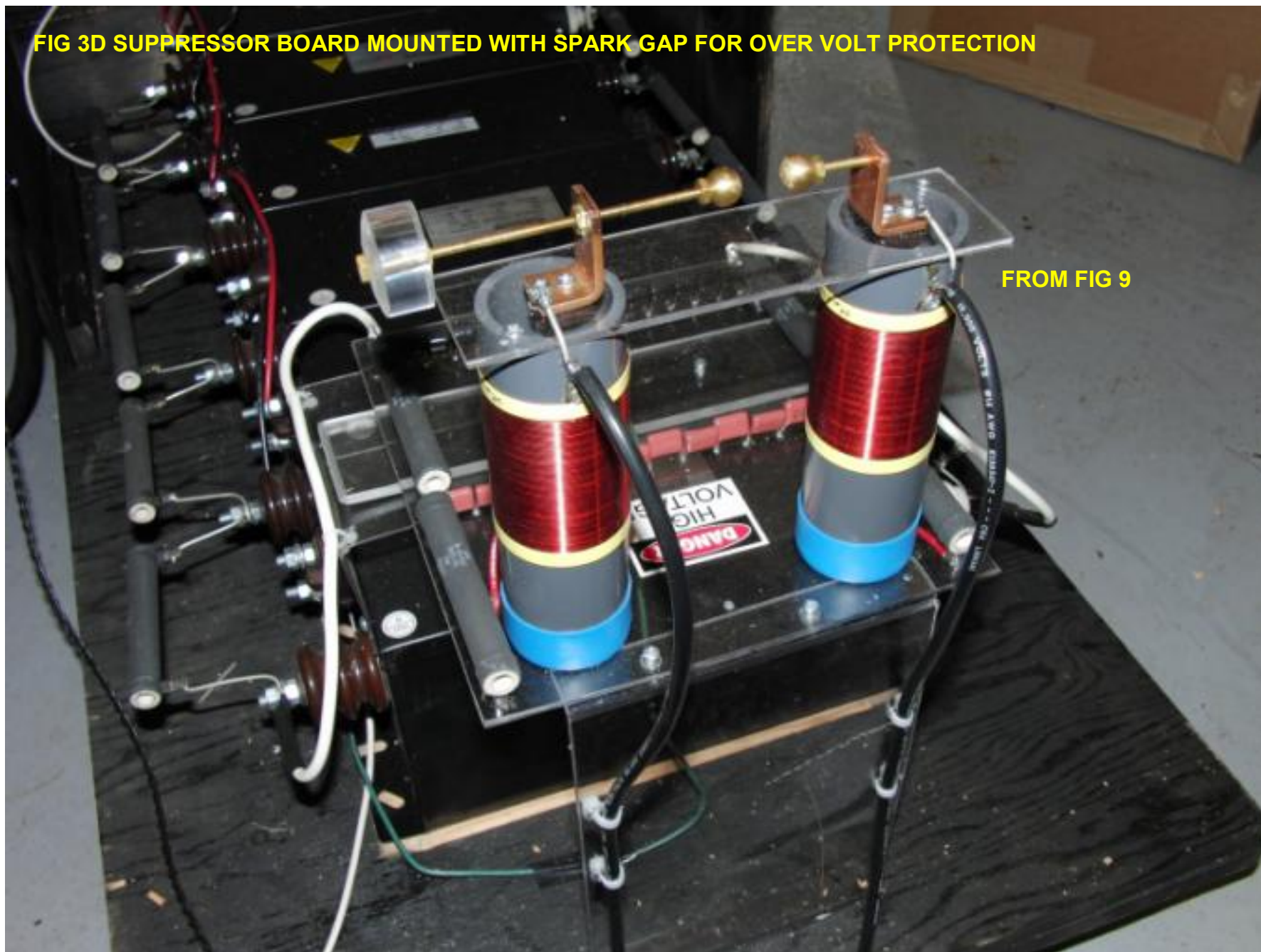


FIG 3D SUPPRESSOR BOARD MOUNTED WITH SPARK GAP FOR OVER VOLT PROTECTION



FROM FIG 9