

BALDOR® • RELIANCE

Product Information Packet

EM3770T

7.5HP,1770RPM,3PH,60HZ,213,T,0735M,TEFC

Product Detail							
Revision:	G	Status:	PRD/A	Change #:		Proprietary:	No
Type:	AC	Prod Type:	0735M	Elec. Spec:	07WGX790	CD Diagram:	CD0005
Enclosure	TEFC	Mfg Plant:		Mech Spec:	07H002	Layout:	07LYH002
Frame:	213T	Mounting:	F1	Poles:	04	Created Date:	
Base:	RG	Rotation:	R	Insulation:	F	Eff. Date:	01-29-2008
Leads:	9#14	Literature:		Elec. Diagram:		Replaced By:	
Nameplate NP1259L							
CAT.NO.	EM3770T						
SPEC.	07H002X790						
HP	7.5						
VOLTS	230/460						
AMP	19/9.5						
RPM	1770						
FRAME	213T	HZ	60	PH	3		
SER.F.	1.15	CODE	J	DES	A	CL	F
NEMA-NOM-EFF	91.7	PF	81				
RATING	40C AMB-CONT						
CC	010A	USABLE AT 208V					
DE	6307	ODE	6206				
ENCL	TEFC	SN					

Parts List			
Product ID	Description	Quantity	List Price
SA115069	SA 07H002X790	1.000	696.00
RA106158	RA 07H002X790	1.000	501.00
37FN3002C01	EXTERNAL FAN, PLASTIC, 6.00 BLADE, 1.15	1.000	16.00
S/P107-000-001	SUPER E PROC'S-FS & WS PLTS-POLYREX EM G	1.000	
HW3201A05	3/8-16 EYEBOLT	1.000	17.00
09CB3002SP	CB W/1.38 LEAD HOLE FOR 37, 39, 307 & 30	1.000	21.00
09GS1000SP	GASKET-CONDUIT BOX, 1/16 THICK LEXIDE	1.000	3.00
51XW2520A12	.25-20 X .75, TAPTITE II, HEX WSHR SLTD	2.000	2.00
WD1000B17	KPA-8C BURNDY TERMINAL	1.000	3.00
11XW1032G06	10-32 X .38, TAPTITE II, HEX WSHR SLTD U	1.000	2.00
HW3001A01	D3019 BRASS WASHER(STIMP)	1.000	2.00
37EP1100A41	FR ENDPLATE MACH FOR GREASER & RELIEF	1.000	108.00
HW4500A17	317400 ALEMITE GREASE RELIEF	1.000	4.00
HW4500A01	1641B(ALEMITE)400 UNIV, GREASE FITT	1.000	2.00
HW5100A06	W2420-025 WVY WSHR (WB)	1.000	2.00
37EP1101A22	PU ENDPLATE, MACH	1.000	102.00
HW4500A17	317400 ALEMITE GREASE RELIEF	1.000	4.00
HW4500A01	1641B(ALEMITE)400 UNIV, GREASE FITT	1.000	2.00
XY3118A12	5/16-18 HEX NUT DIRECTIONAL SERRATION	4.000	2.00
07FH4007SP	IEC FH W/GRSR, NOTCH @ 6:00 & 3 FAN CVR	1.000	39.00
51XW1032A06	10-32 X .38, TAPTITE II, HEX WSHR SLTD S	3.000	3.00
09CB3501SP	CONDUIT BOX LID FOR 09CB3001 & 09CB3002	1.000	18.00
09GS1013SP	09 GS FOR 09CB3501 LID - LEXIDE	1.000	2.00
51XW2520A12	.25-20 X .75, TAPTITE II, HEX WSHR SLTD	2.000	2.00

Parts List (continued)			
Product ID	Description	Quantity	List Price
HW2501F21	KEY, 5/16 SQ X 2.375	1.000	4.00
HA7000A02	KEY RETAINER RING, 1 1/8 DIA, 1 3/8 DIA	1.000	2.00
LB1115	LABEL,LIFTING DEVICE (ON ROLLS0	1.000	2.00
85XU0407A04	#4-7 X 1/4 DRIVE PIN	2.000	2.00
MJ1000A02	GREASE, POLYREX EM EXXON	0.050	10.00
HA3104A32	THRUBOLT- 5/16-18 X12.750	4.000	2.00
51XB1214A20	12-14X1.25 HXWSSLD SERTYB	1.000	2.00
MG1000Y03	WILCO 149-708 GOLD PAINT SUPER E	0.036	263.00
LB1125C02	SUPER-E (STOCK CTN LABEL SUPER-E WITH FL	1.000	2.00
LB1357	ENERGY GUIDE LABEL (BOX LABEL)	1.000	2.00
LC0005E01	CONN.DIA./WARNING LABEL (LC0005/LB1119)	1.000	2.00
NP1259L	STD LASER ENGRAVED, SUPER E,UL CSA CC, W	1.000	
07PA1011	PKG GRP, 07 CAST IRON TDR#75174	1.000	71.00

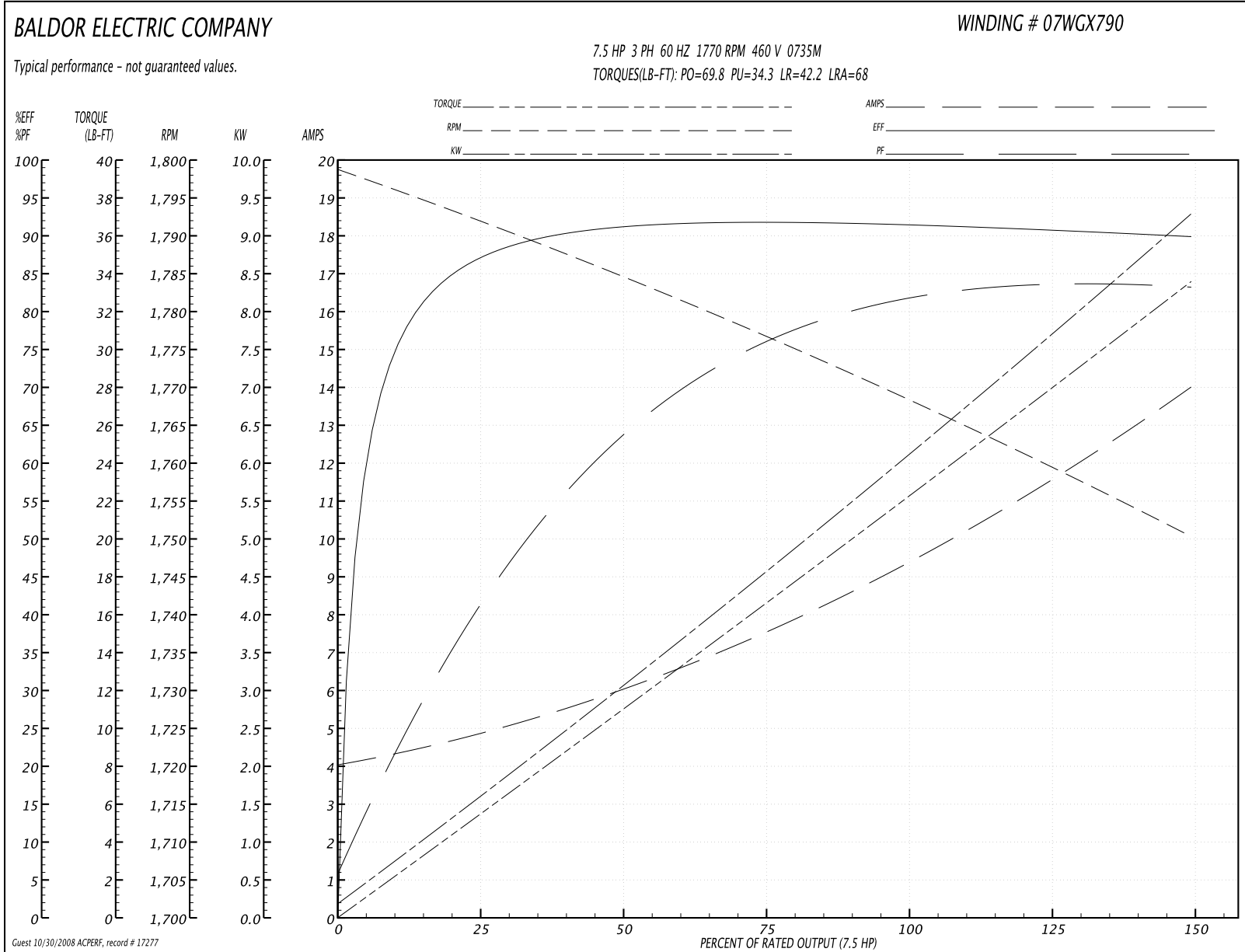
Performance Data at 460V, 60Hz, 7.5HP (Typical performance - Not guaranteed values)
General Characteristics

Full Load Torque:	22.1 LB-FT	Start Configuration:	DOL
No-Load Current:	4.18 Amps	Break-Down Torque:	69.8 LB-FT
Line-line Res. @ 25°C.:	1.43 Ohms A Ph / 0.0 Ohms B Ph	Pull-Up Torque:	34.3 LB-FT
Temp. Rise @ Rated Load:	42°C	Locked-Rotor Torque:	42.2 LB-FT
Temp. Rise @ S.F. Load:	52°C	Starting Current:	68.0 Amps

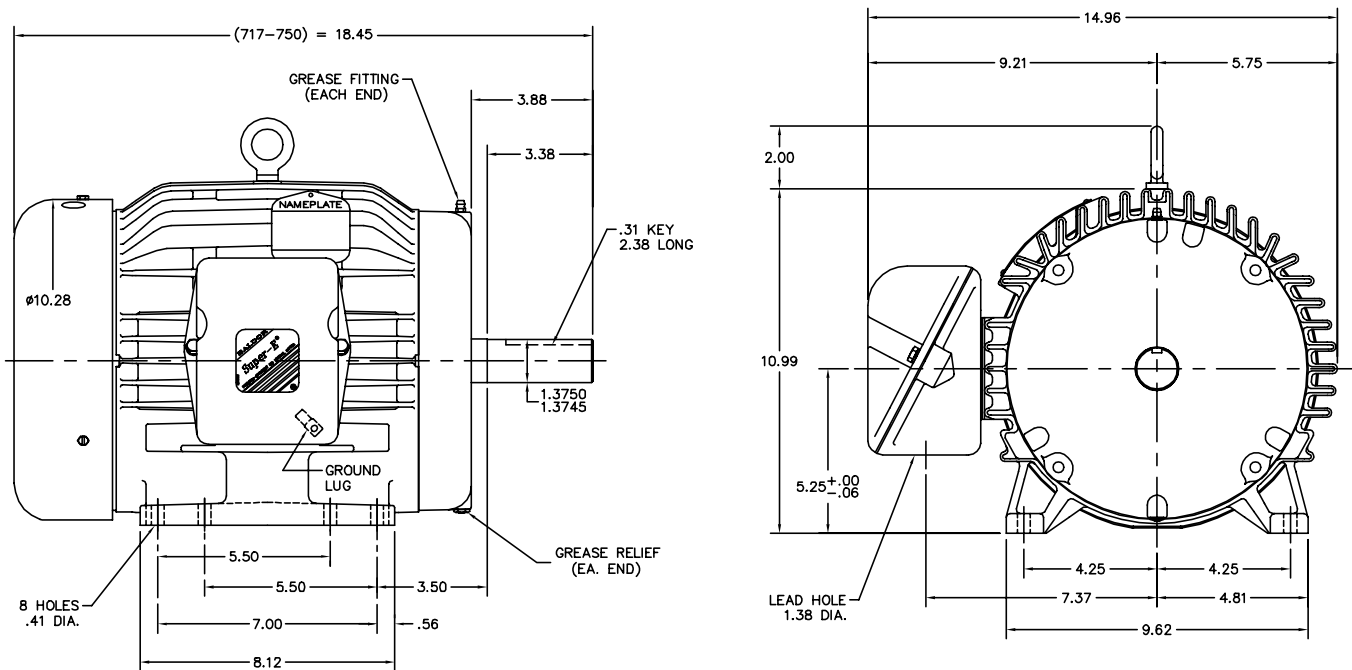
Load Characteristics

% of Rated Load:	25	50	75	100	125	150	S.F.
Power Factor:	43.0	65.0	76.0	81.0	83.0	84.0	82.0
Efficiency:	87.4	91.6	92.3	92.0	91.2	90.1	91.5
Speed:	1792.0	1784.0	1777.0	1769.0	1760.0	1750.0	1764.0
Line Amperes:	4.68	5.93	7.53	9.44	11.6	13.9	10.7

Performance Graph at 460V, 60Hz, 7.5HP (Typical performance - Not guaranteed values)



07LYH002



CUSTOMER IS RESPONSIBLE FOR DETERMINING THAT MOTOR PERFORMANCE IS SUITABLE IN THE APPLICATION.

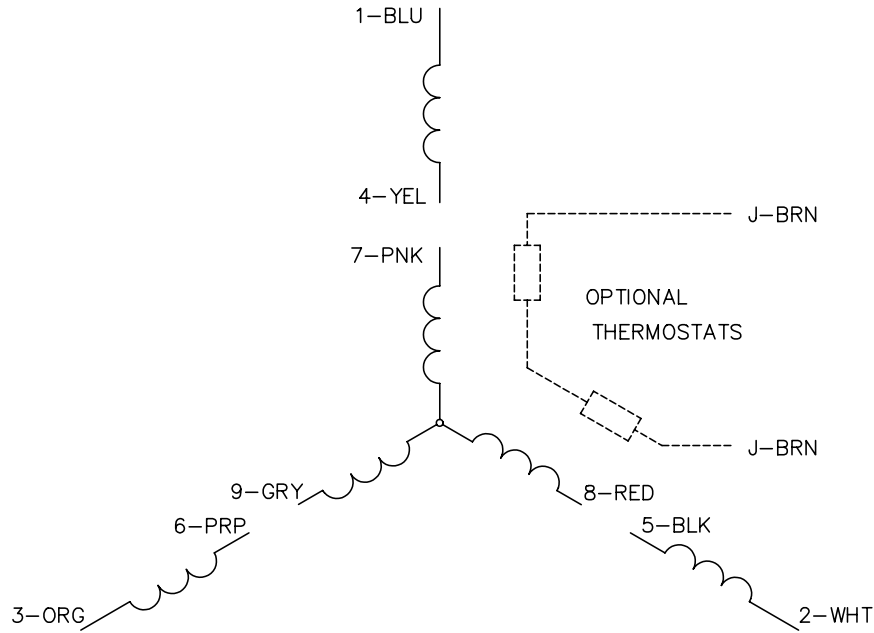
REV. DESC: OMITTED LB1098			
REV. LTR: N	BY: SSS	REVISED: 09:30:19 04/16/2001	TDR: 237216
FILE: AAA00016291		REF: 07LYH002	
MTL: -			

BALDOR ELECTRIC Co.

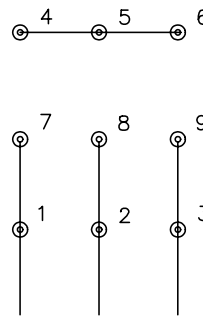
HORZ TEFC 307M 213-5T (SUPER-E)

07LYH002

CD0005

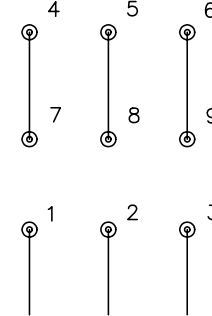


LOW VOLTAGE
(2Y)



LINE

HIGH VOLTAGE
(1Y)



LINE

NOTES:

1. INTERCHANGE ANY TWO LINE LEADS TO REVERSE ROTATION.
2. OPTIONAL THERMOSTATS ARE PROVIDED WHEN SPECIFIED.
3. ACTUAL NUMBER OF INTERNAL PARALLEL CIRCUITS MAY BE A MULTIPLE OF THOSE SHOWN ABOVE.
4. LEAD COLORS ARE OPTIONAL. LEADS MUST ALWAYS BE NUMBERED AS SHOWN.

REV. DESC: REVISE TO SHOW OPTIONAL COLORS			
REV. LTR: E	BY: JLP	REVISED: 01/19/99 10:15	TDR: 0171435
90000		FILE: AAA00005140	MDL: -
		MTL: -	

BALDOR ELECTRIC Co.

3PH, DV, 9 LEADS

CD0005